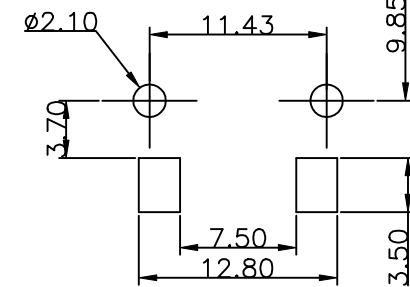
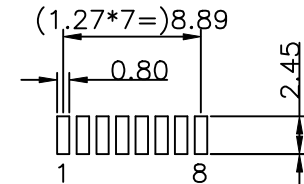
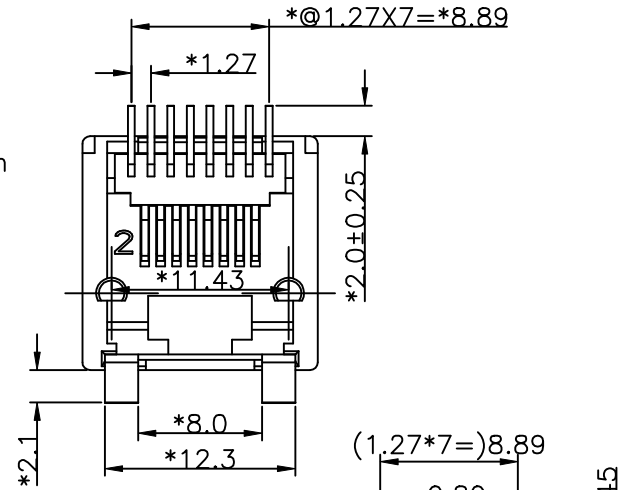
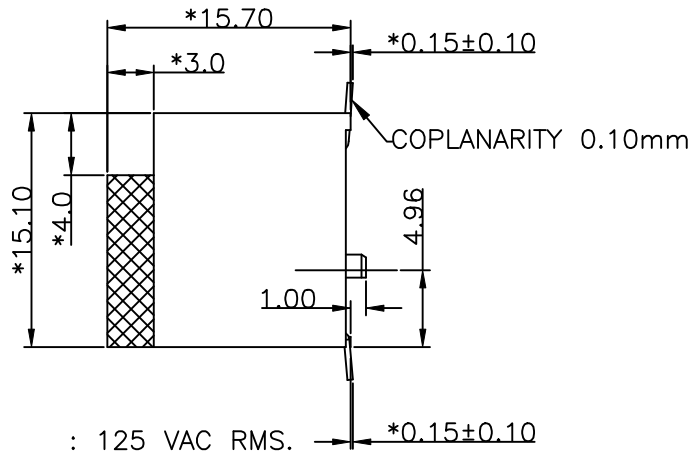
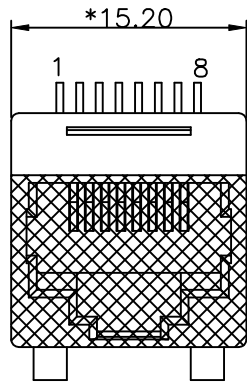


REVISION RECORD				
REV	ECO	DESCRIPTION	DRFT	CHKD



PCB LAYOUT
COMPONENT SIDE SHOWN

NOTES:

ELECTRICAL:

- 1. VOLTAGE RATING : 125 VAC RMS.
- 2. CURRENT RATING : 1.5 AMP.
- 3. CONTACT RESISTANCE : 35 MILLIOHMS MAX.
- 4. INSULATION RESISTANCE : 1000 MEGOHMS MIN @ 500 VDC.
- 5. DIELECTRIC STRENGTH : 1000 VAC RMS 60HZ, 1MIN.

MECHANICAL:

- 1. HOUSING MATERIAL : FR52.
- HOUSING COLOR : BLACK
- 2. CONTACT MATERIAL : PHOSPHOR BRONZE t=0.35mm.
- 3. PLATING : 1: CONTACT AREA- SELECTIVE GOLD PLATING
2: TAILS-GOLD PLATING OVER NICKEL
- 4. OPERATING LIFE : 750 CYCLES MIN.
- 5. PCB RETENTION POST-SOLDER : 10 LBS MIN.

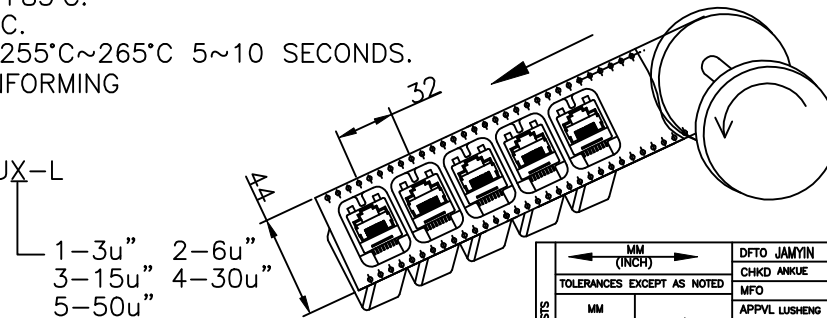
ENVIRONMENTAL:

- 1. STORAGE : -40°C TO +85°C.
- 2. OPERATION : 0°C TO 70°C.
- 3. IR REFLOW TEMPERATURE: 255°C~265°C 5~10 SECONDS.

MATES WITH MODULAR PLUG CONFORMING
FCC PART 68, SUBPART F.

CUL FILE NO. E163191

ROHS PART NUMBER: E5288-700BUX-L



- 1-3u" 2-6u"
- 3-15u" 4-30u"
- 5-50u"

MM (INCH)		DFTO JAMVIN	DATE 12/3/05	FULL RISE ELECTRONIC CO., LTD	
TOLERANCES EXCEPT AS NOTED		CHKD ANKUE	DATE 2005/12/3	TITLE	
		MFO	DATE	TOP ENTRY PCB JACK 8P(W/O PANEL STOP)	
		APPVL LUSHENG	DATE 2005/12/3	DRAWING NO. GE523105-LA	
		MATERIAL :		SIZE	REV
ANGLES ± 0.5		QT'Y :		A3	0
THIRD ANGLE PROJECTION		FINISH :		/PART NO. SEE NOTE	
		SCALE :		DO NOT SCALE DRAWING 1:1	
				SHEET 1	OF 1